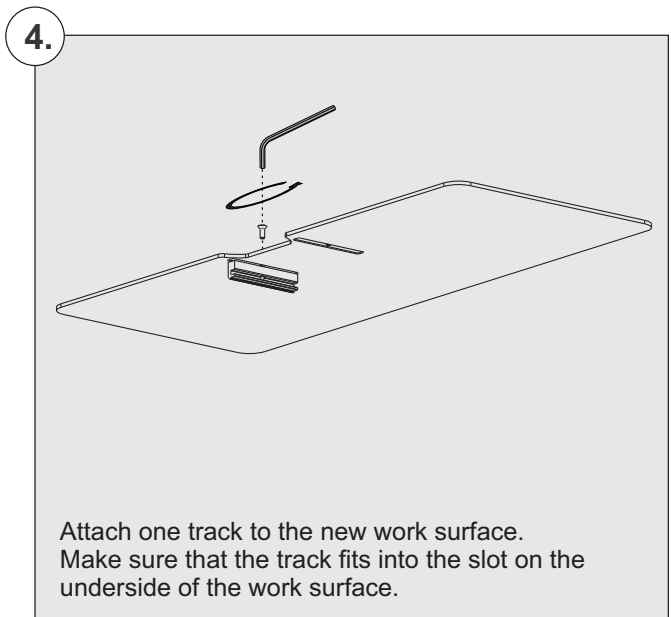
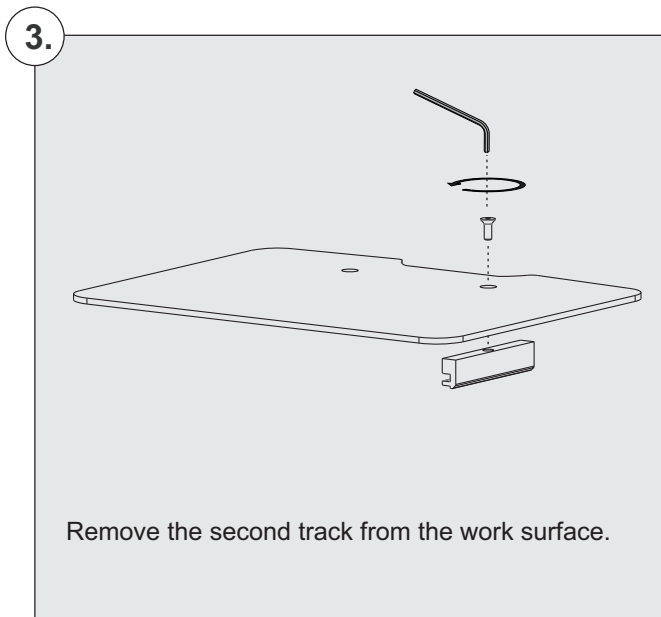
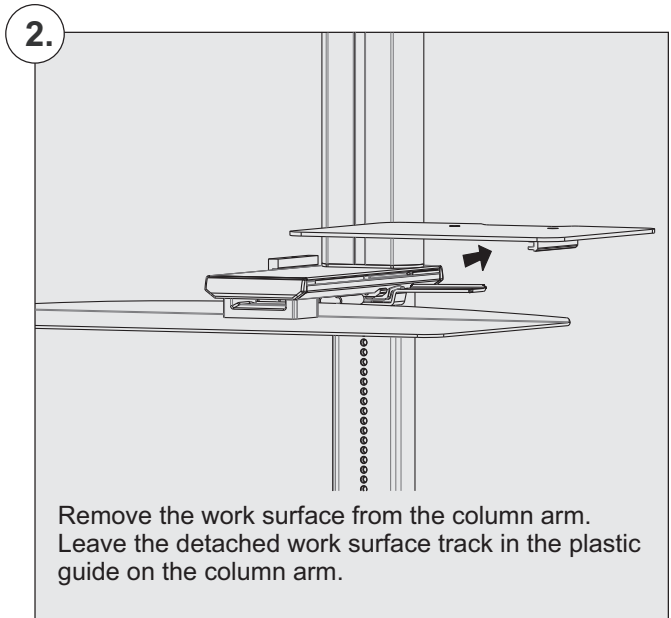
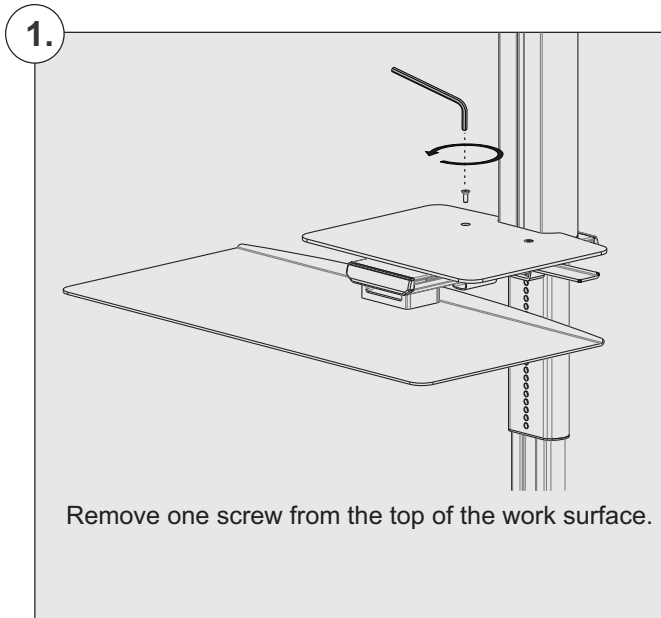
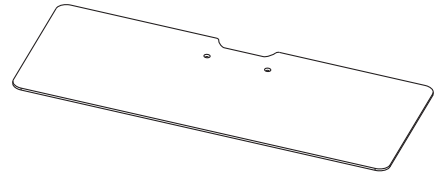


UPRITE™ ERGO

Sit2Stand

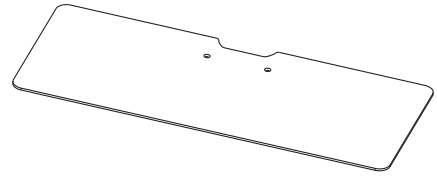
Large Worksurface



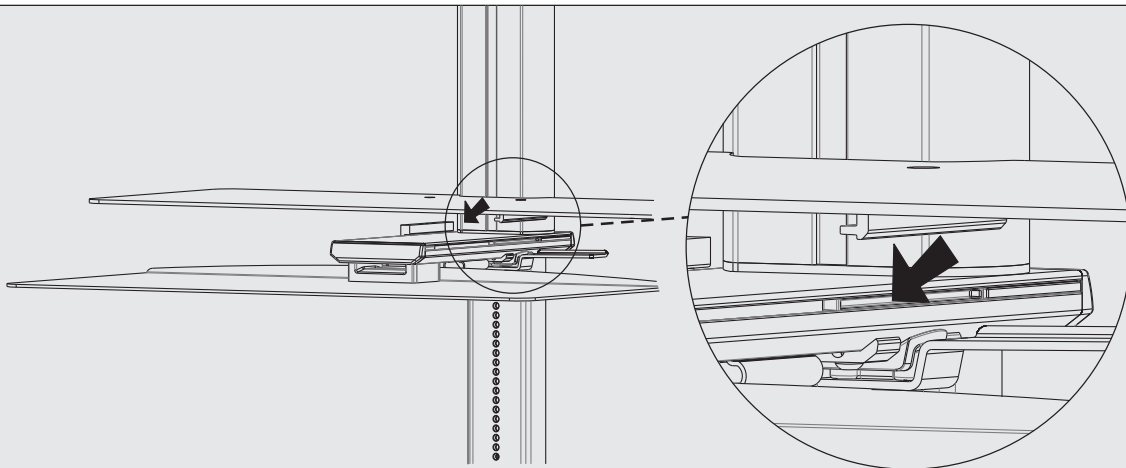
UPRITE™ ERGO

Sit2Stand

Large Worksurface

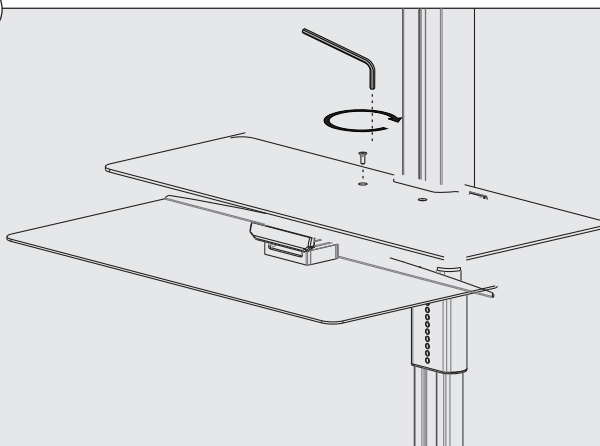


5.



Insert the attached work surface track into the plastic guide on the column arm.

6.



Attach the other side of the work surface with the screw you removed in step 1 to the work surface track you left in the column arm in step 2. Make sure that the track fits into the slot on the underside of the work surface.