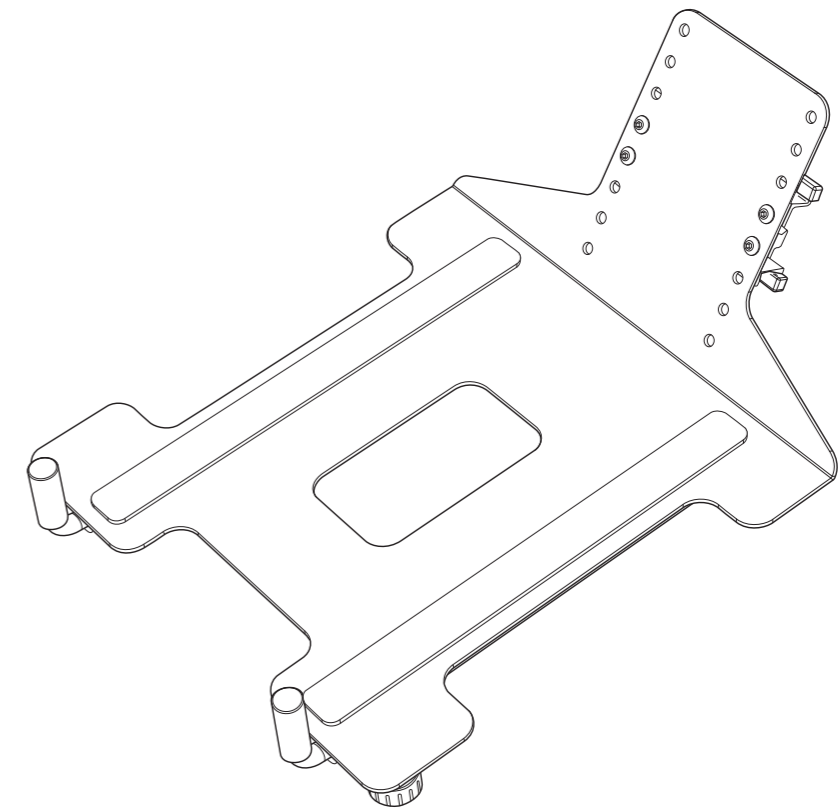
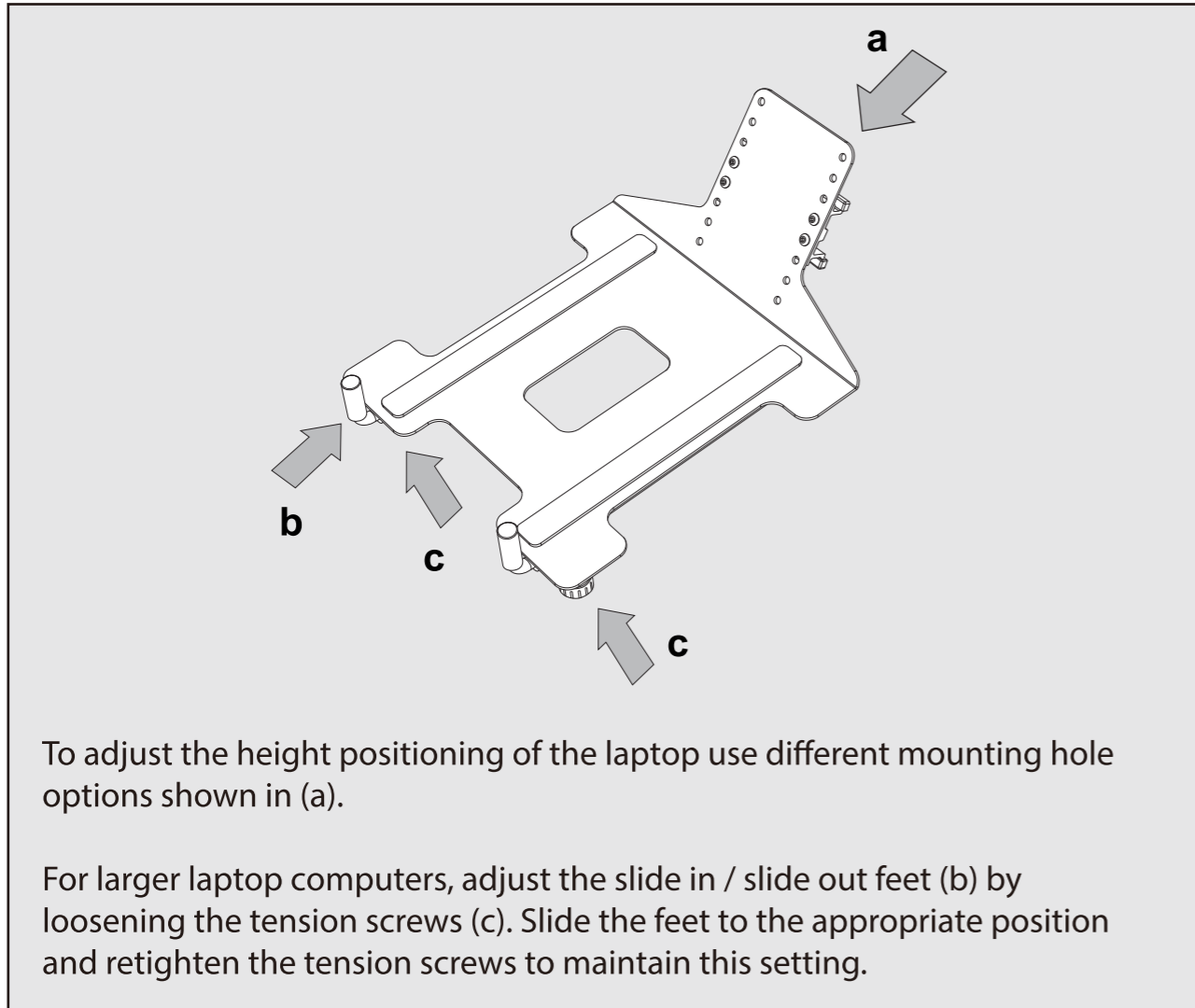
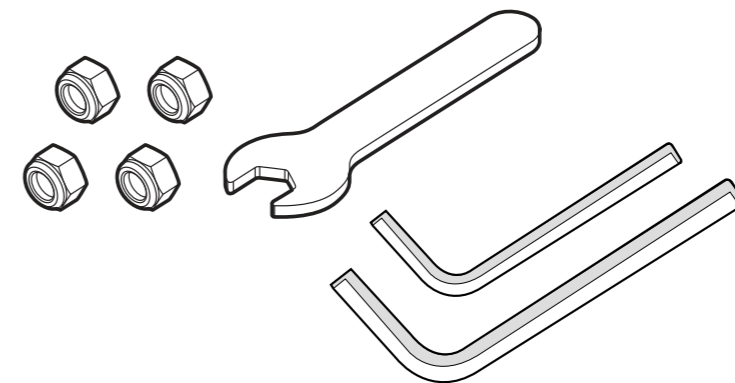


Adjustments

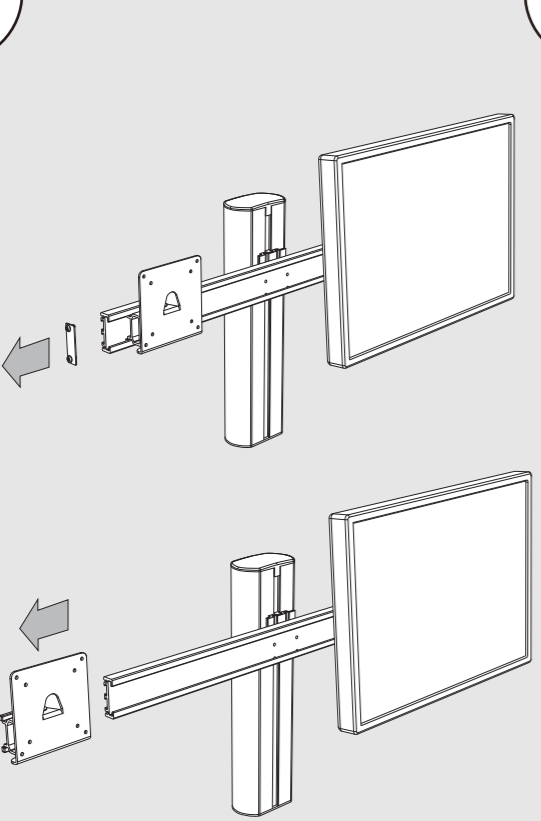


Parts for mounting on
VESA Plate



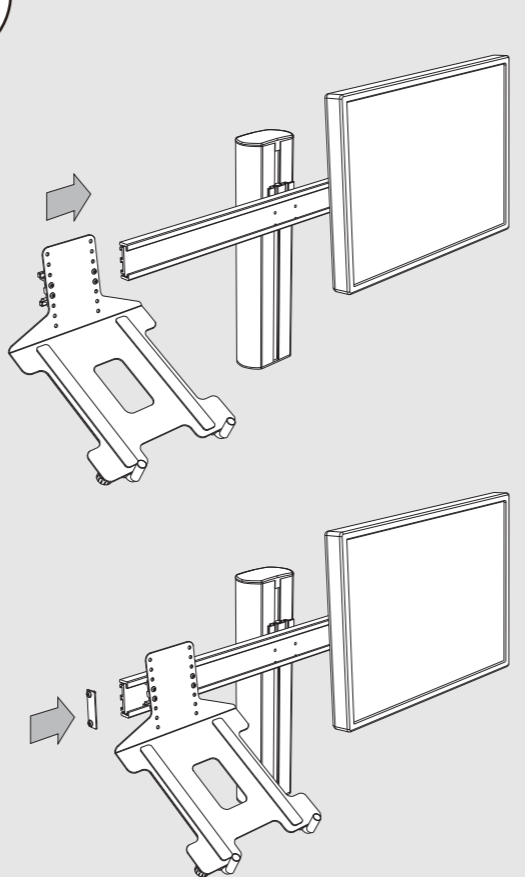
Crossbar Mounting Instructions

1.



Using the Hex Key, remove the endcap from crossbar and remove one VESA plate.

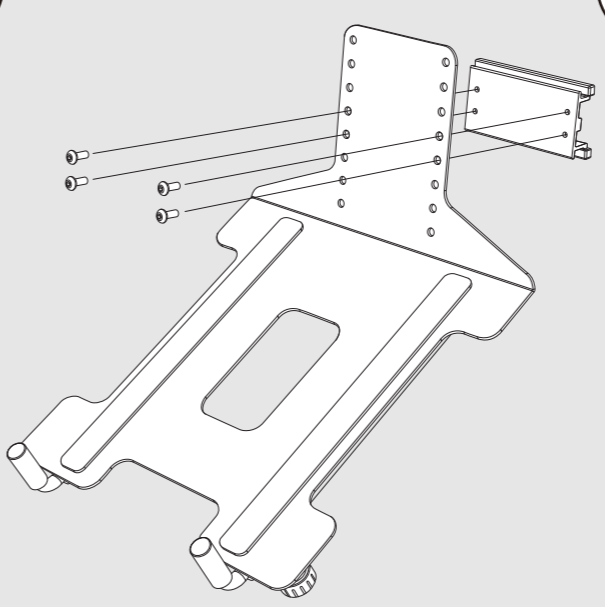
2.



Slide Laptop Holder into crossbar channel and reattach endcap.

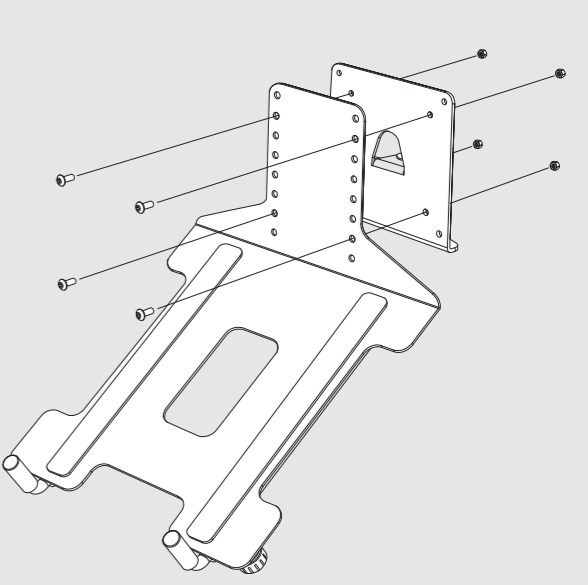
VESA Plate Mounting Instructions

1.



Using the Hex Key, remove the mounting track.

2.



Attach the laptop holder to the VESA plate with the screws you removed from the mounting track and the included nuts.