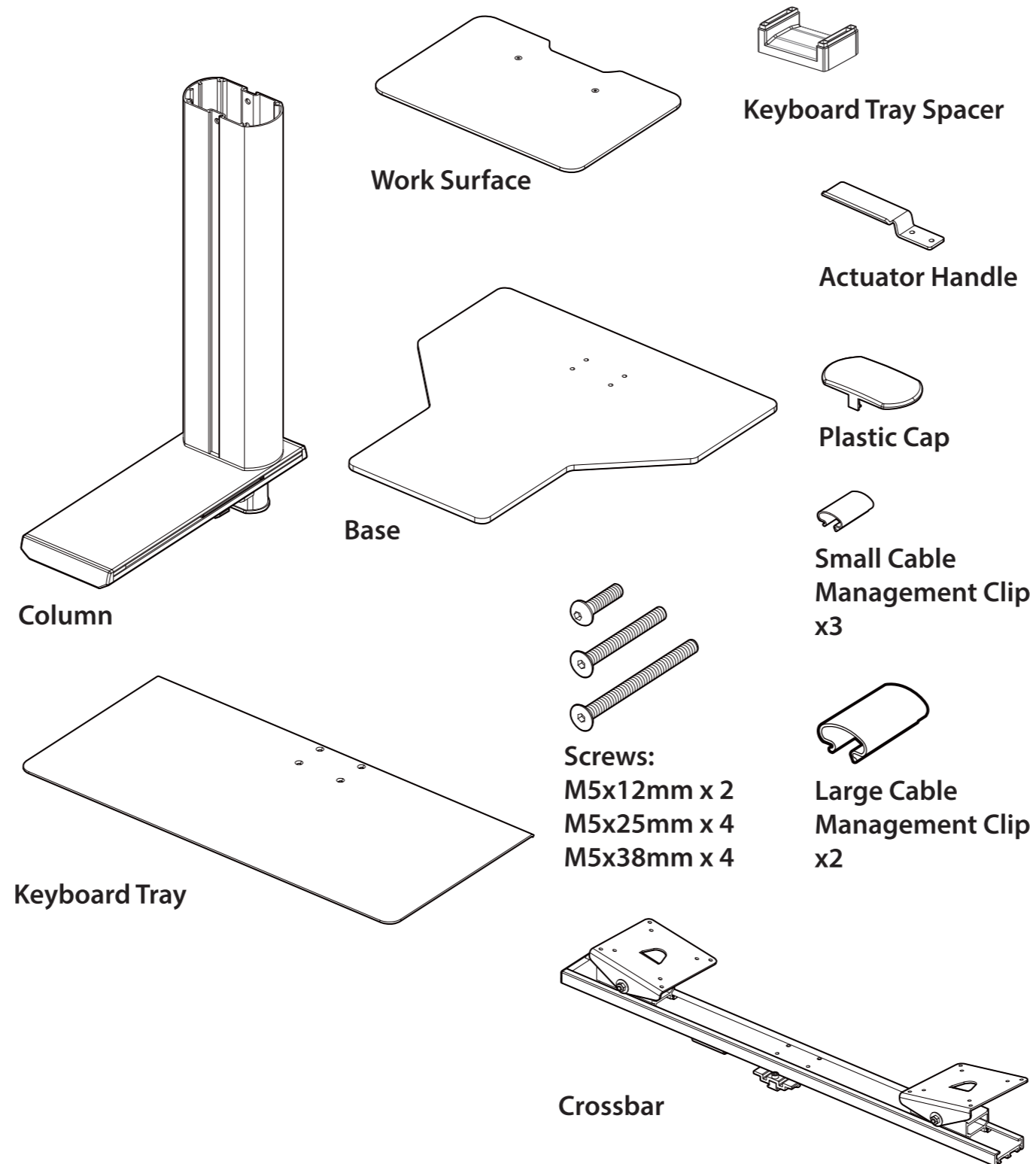
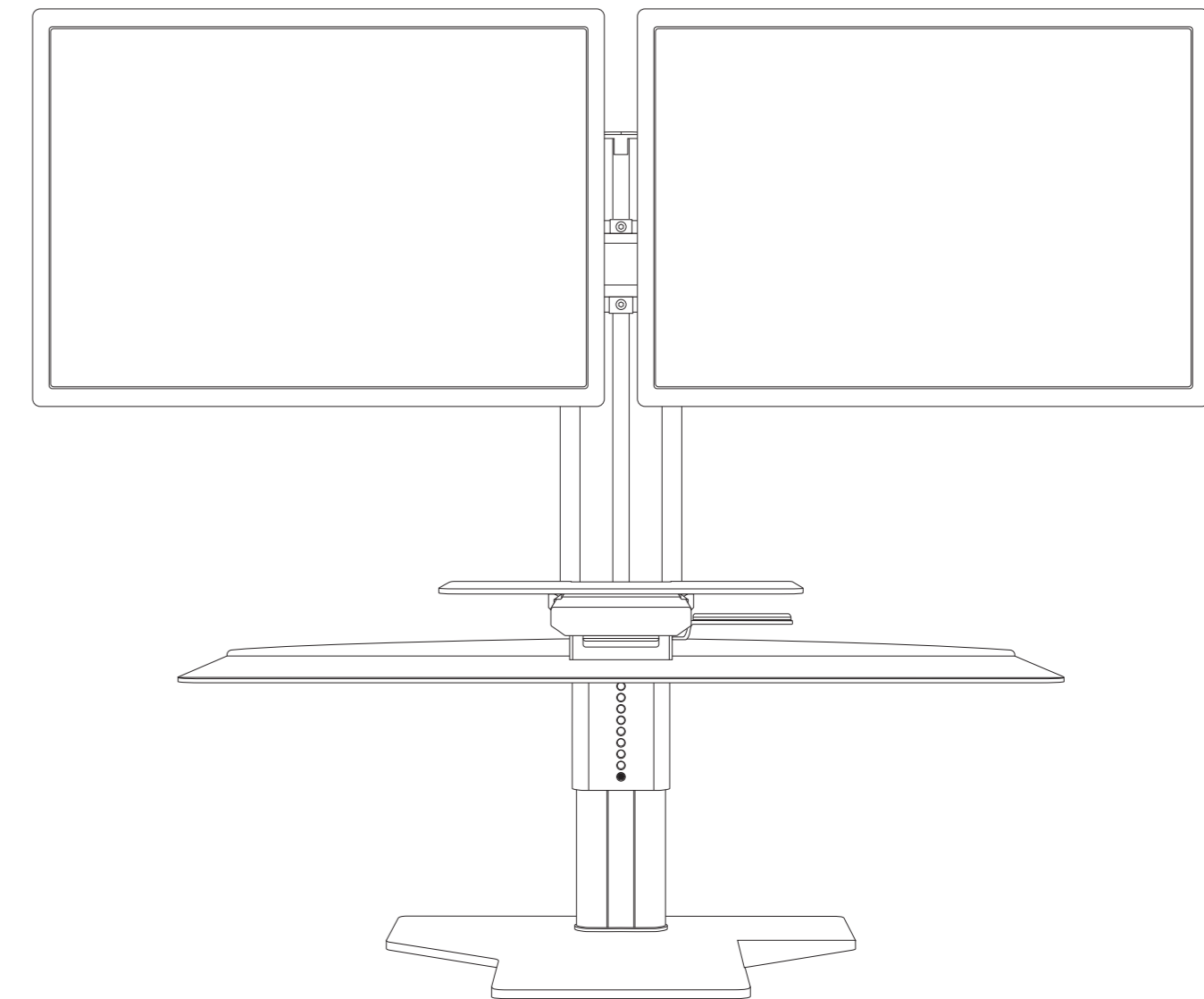
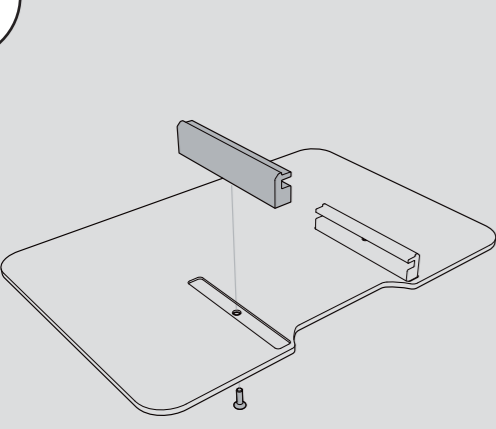


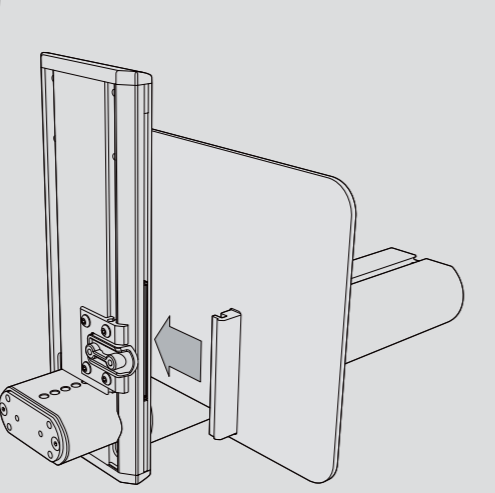
Parts:

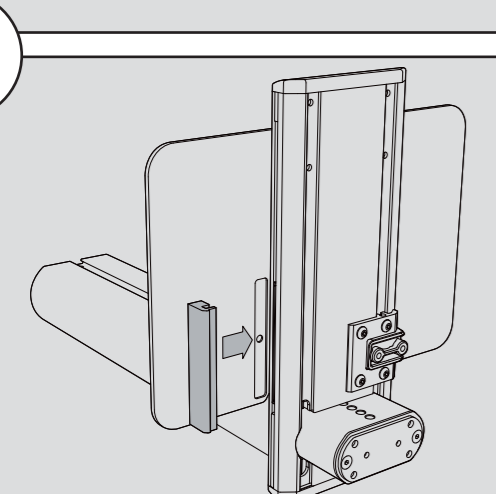


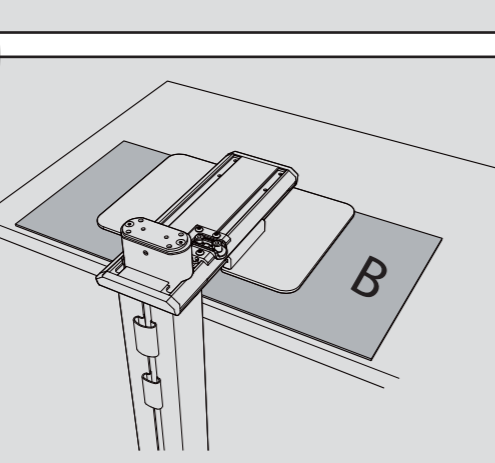
Monitor Mounting Parts:

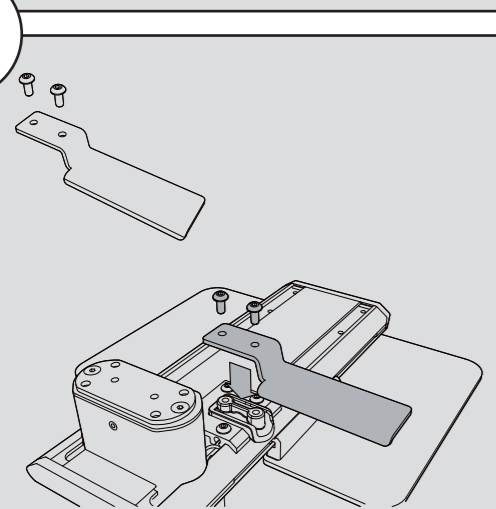


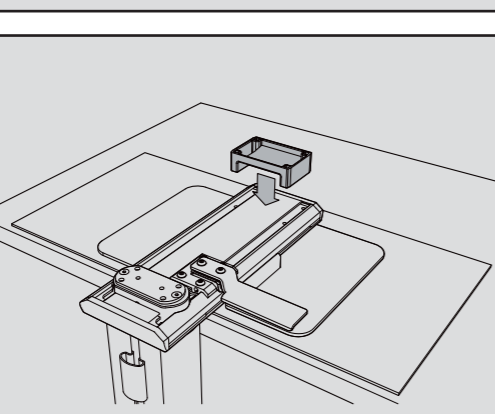
1.  Remove one track from the underside of the work surface and set aside.

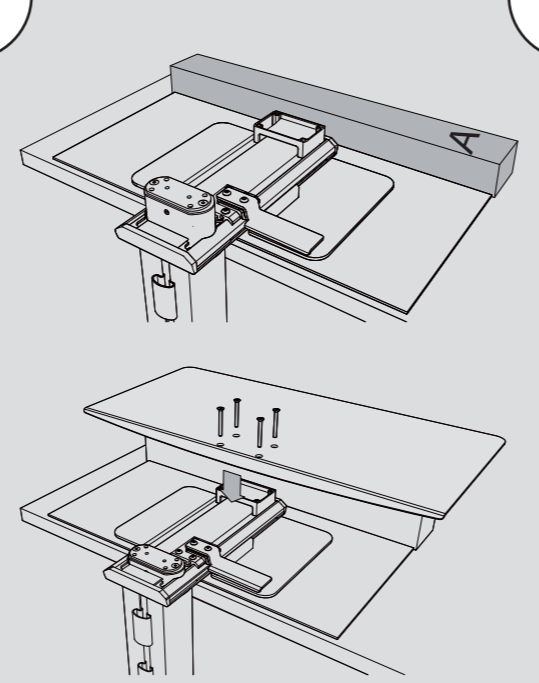
2.  Insert the attached work surface track into the plastic guide on the column arm.

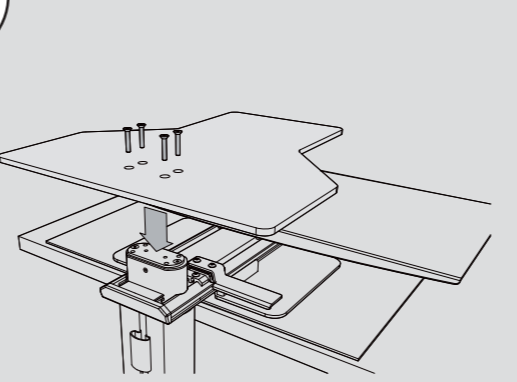
3.  Insert the unattached work surface track into the opposite plastic guide on the column arm and attach using the screw you removed in step 1.

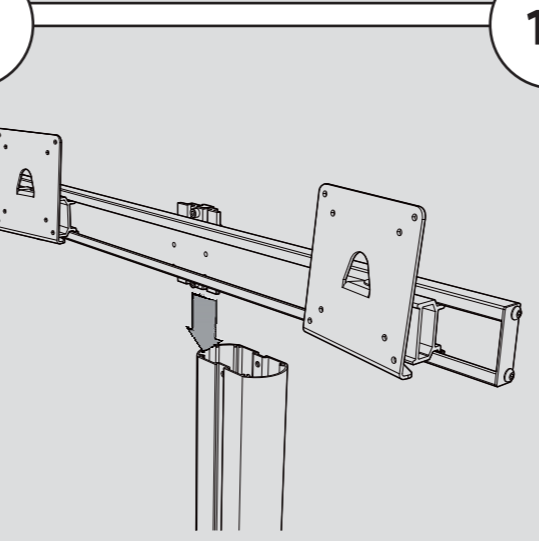
4.  Rest the unit upside down over the edge of a desktop or work surface on top of cardboard divider (marked with "B" in packaging).

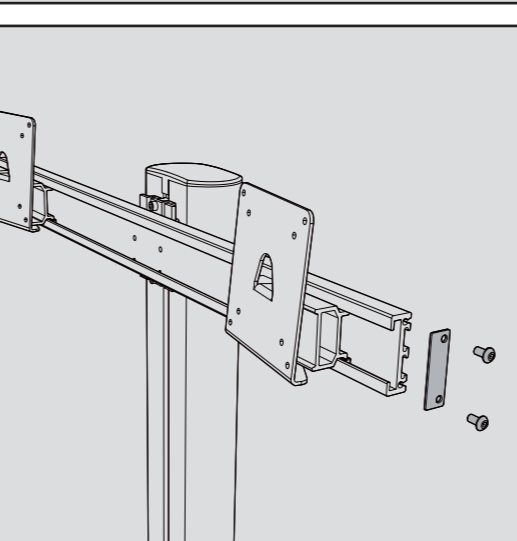
5.  Attach the actuator handle as shown using the M5x12mm screws.

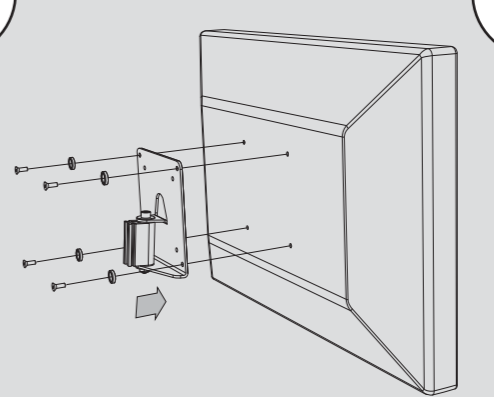
6.  Set the keyboard tray spacer in alignment to the holes on the column arm.

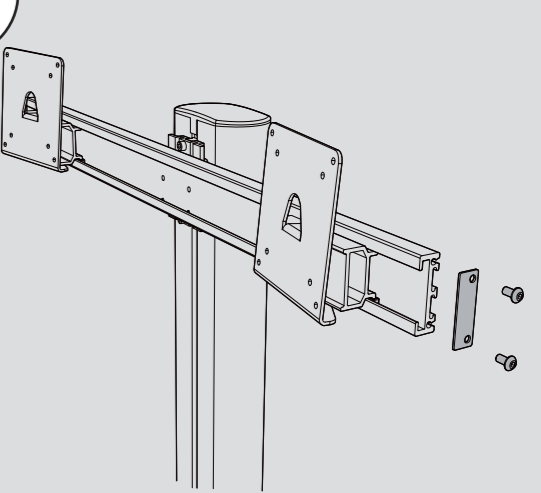
7.  Place the cardboard spacer (labeled "A" in packaging) in front of the unit as shown (to support the keyboard tray) and attach the keyboard tray to the column arm using the M5x38mm screws through the spacer.

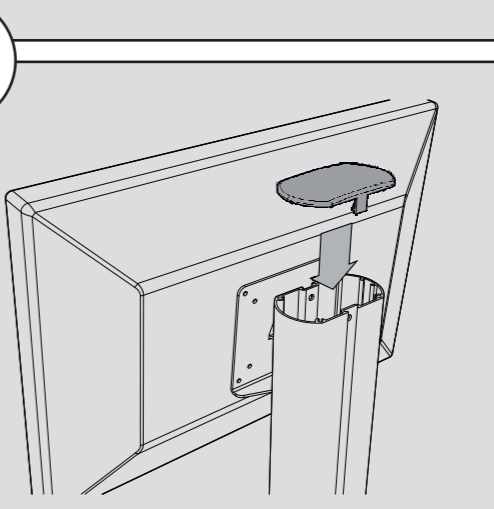
8.  Place some of the bubble wrap on top of the keyboard tray and then attach the baseplate to the vertical column using the M5x25mm screws. Note: The countersunk holes and felt pads of the steel baseplate should be facing you.
When the baseplate is firmly attached, flip the unit over onto the desktop or work surface where you plan to use it.

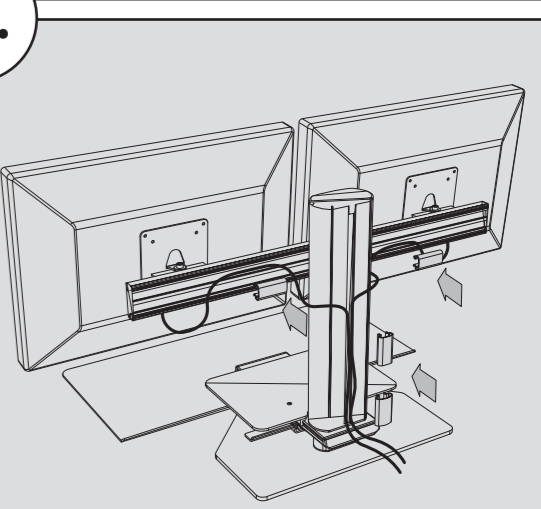
9.  Slide the crossbar mount into the channel to the appropriate height and then tighten top and bottom screws to lock into the desired position.

10.  Remove the end cap from the crossbar and slide VESA mounts out of the crossbar.

11.  For standard monitors attach the VESA mount to the monitor with the M4 x 12mm screws and the countersunk washers. For monitors with a recessed area for VESA mounting place the spacers between the monitor and the VESA mount then mount the monitor with the M4 x 22mm screws and the countersunk washers.

12.  Slide the mounted monitors back into the crossbar channel and reattach the endcap. Monitors can be adjusted horizontally after the endcap is attached.

13.  Affix the plastic cap to the top of column as shown.

14.  Align cables from monitor along the crossbar, insert cables into the small cable management clips, and clip the small cable management clips into the channel of the crossbar. Align combined cables coming from the crossbar towards the center of the column, insert cables into the large cable management clips, and clip the large cable management clips into the center channel of the column.